



F L Y M O J O
B A S S

OWNER'S MANUAL



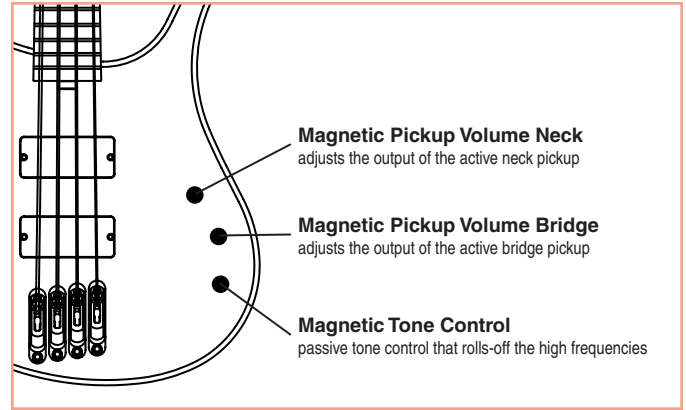
SPECIFICATIONS

Body	Sitka Spruce with Maple front and back
Neck	Mahogany with Maple headstock and woven carbon reinforcement
Finish	Polyurethane
Fretboard	Carbon-glass-epoxy .020" composite
Radius	10" - 15" conical
Scale	34"
Frets	24 medium size, hardened stainless steel frets
Tuners	Sperzel® locking
Nut	GraphTech®
String Spacing	At the bridge, string to string: .750"
Strings	Fodera® Nickel strings .045" - .105"
Bridge	Custom Ibanez® Mono-Rail II™ bridge
Magnetic Pickups	EMG 35 CS active humbuckers
Preamp	Fishman® fixed active midrange boost with passive tone control unit
Controls	Two volume controls, one for each magnetic pickup, and passive tone control
Output	Mono
Weight	7 ¾ pounds

FEATURES & CONTROLS

Control Descriptions

Your Fly Mojo Bass is equipped with individual volume and tone controls as shown on the diagram.



Active Fishman Preamp & Battery

The Fly Mojo Bass features a custom Fishman® active mid-range boost with a traditional passive tone control, and active EMG humbucking pickups. Our voltage-doubled system gives you the additional headroom of 18 volts peak-to-peak performance. The 9 volt battery that powers the Fishman® preamp has a life of approximately 80 to 100 hours of continuous use.

Please note that the circuit switches on when a cable is plugged into the bass, so to conserve batteries, unplug the cable when you're not playing.

***NOTE:** To replace the battery, release the catch and swing open the door. Please be gentle !!!*

ADJUSTING YOUR PARKER BASS

If you're unfamiliar with adjusting instruments, we suggest that you take your Fly Mojo Bass to a qualified guitar technician. He or she can help demonstrate these adjustments and you can decide which ones you might prefer to have made professionally.

Action

Fly Mojo Basses are set up at the Parker Guitars factory with Fodera® Nickel strings .045" - .105".

Action (string height) is adjusted by two screws on each of the independent string bridge saddles. Turn the screws clockwise to raise the saddle, and counterclockwise to lower. Changing your action significantly or your string gauge will effect intonation.

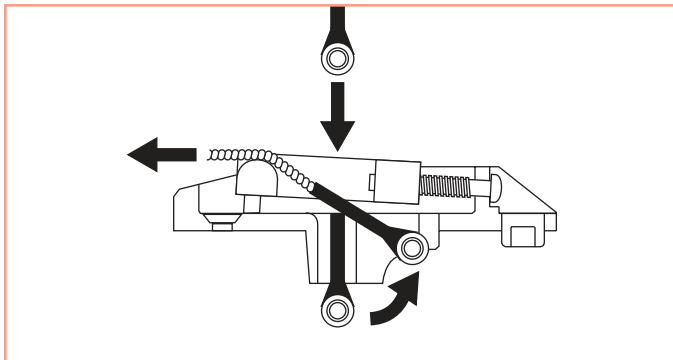
Truss Rod Adjustment

If you're unfamiliar with adjusting a truss rod, we **STRONGLY** suggest that you have this adjustment made by a qualified guitar technician.

The truss rod adjuster wheel is easily accessible. To adjust the truss rod, use the 1/8" steel rod supplied with your bass. Rotate the wheel towards the G string to tighten the truss rod and towards the low E string to loosen it.

String Installation & Intonation

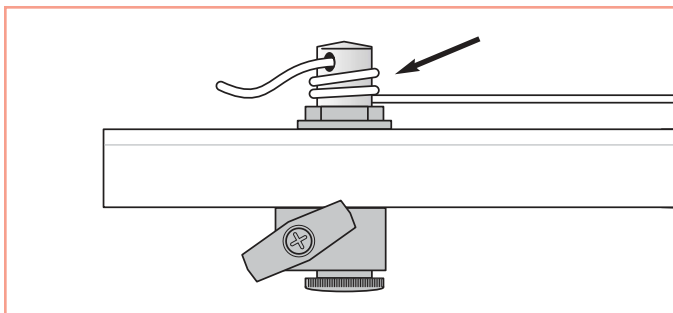
Your Parker Fly Mojo Bass is equipped with a Mono-Rail II™ System using independent bridge elements for each string. Strings are installed by lowering the ball end into the bridge and hooking the ball end below the string catch at the rear of the bridge as shown in the diagram.



Intonation is a subtle string-length adjustment that tunes the string to the fretboard. Intonation adjustments can be made by adjusting the intonation screws at the rear of each saddle clockwise to move the saddle back (to make the string play more flat), and counter-clockwise to move the saddle forward (to make the string play more sharp).

Tuning Machines

We proudly use locking Sperzel® tuners - designed and manufactured in the USA - because they combine excellent quality and design, and minimum weight. To ensure the proper string down bearing at the nut, please install your strings with 1-2 windings *below* the post-hole in the tuning machine as shown in the diagram.



Frets

Our patented fretboard system consists of hardened stainless steel frets bonded to a glass and carbon fiber fretboard. Not only will these unique frets outlast ordinary soft nickel frets, but due to our totally super-accurate manufacturing processes, they all have the correct "half-round" shape.

The frets may only be serviced at the Parker Guitar Factory or by a Parker Authorized Repair Facility. Fret service performed otherwise will void warranty.

LIMITED WARRANTY

There is a 1-year limited warranty beginning on the date of first customer purchase on all unmodified and properly cared for Parker Guitars.

Any Parker Guitar found to be defective within the 1-year warranty period set forth above will be repaired or replaced at the option of Parker Guitars provided the guitar is promptly delivered (freight and insurance prepaid) directly to Parker Guitars for service.

Please contact Parker's Product Support office at (978) 988-0102 for information, return authorization, and a Parker Work Order Number. Please visit the Parker Guitars website at www.parkerguitars.com for more detailed warranty information.

Warranty Repairs Outside of the USA

For warranty repairs outside the U.S. please contact either the dealer from whom you purchased the guitar, or the Authorized Parker Distributor in your country for information and assistance.



PARKER GUITARS P.O. Box 388 WILMINGTON MA 01887 USA 978.988.0102 Fax 978.988.8807 www.parkerguitars.com

N O T H I N G P L A Y S L I K E A P A R K E R